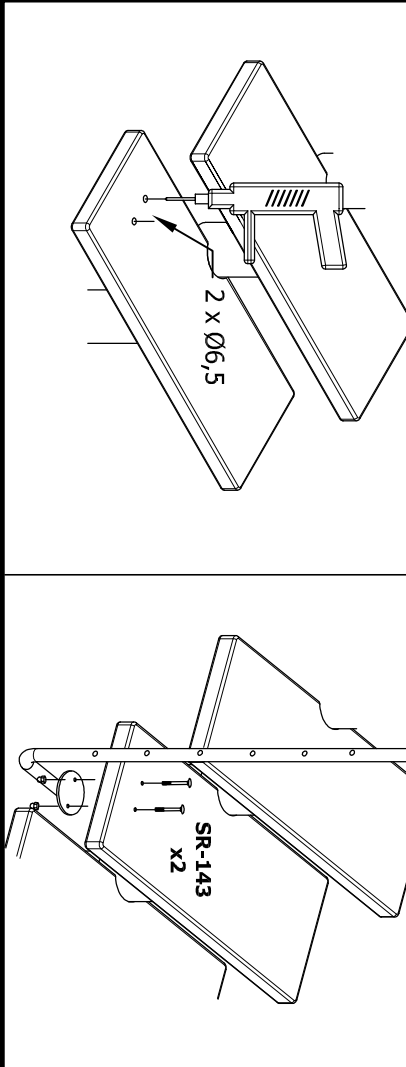
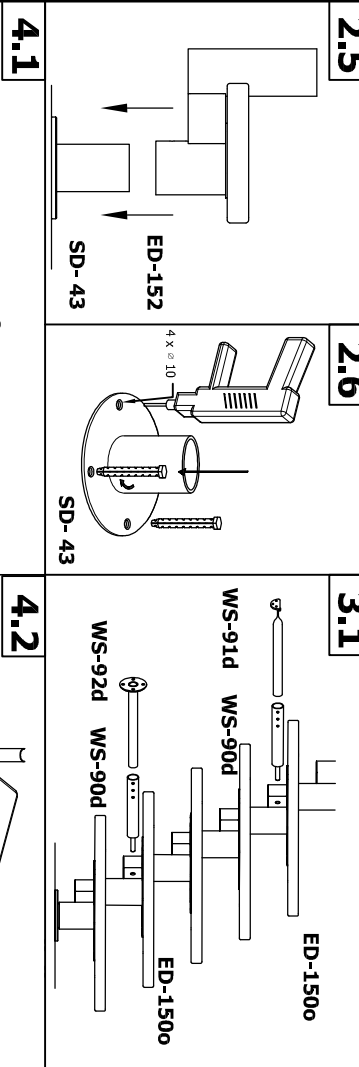
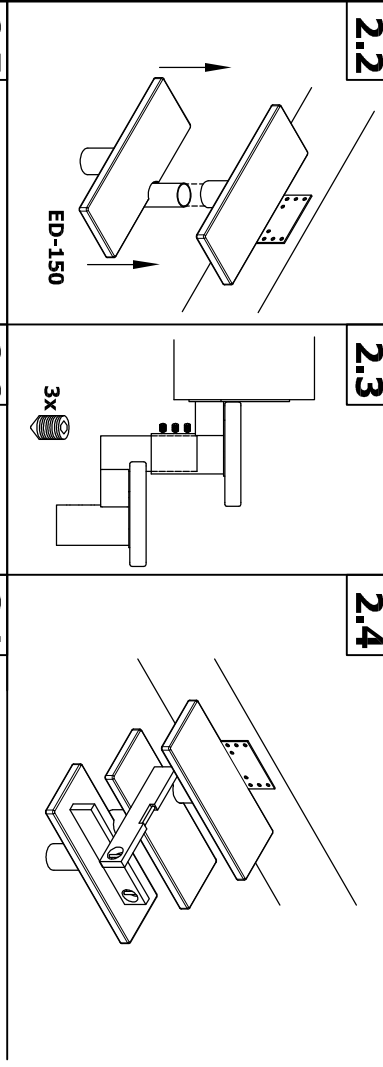
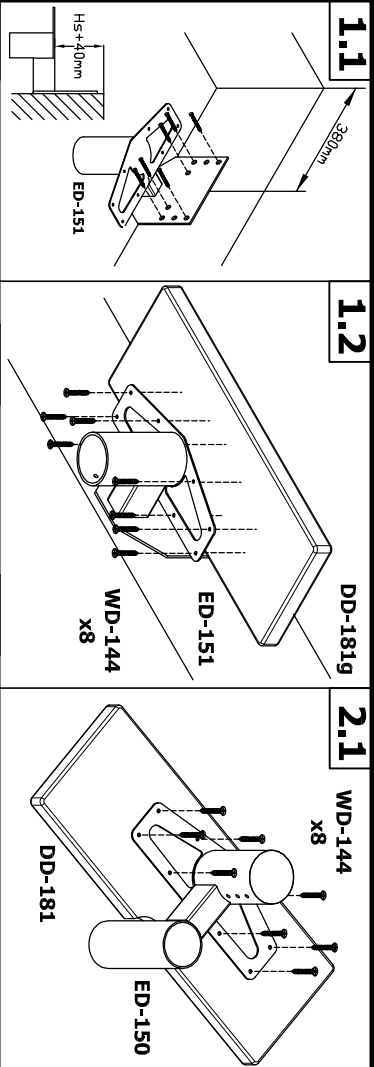
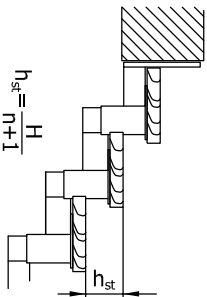
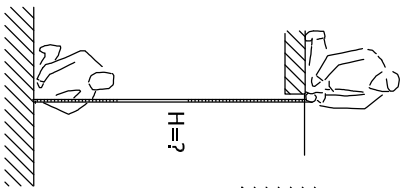
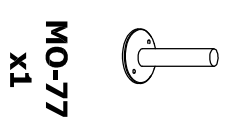
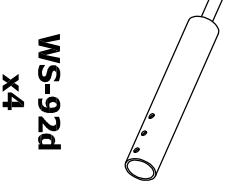
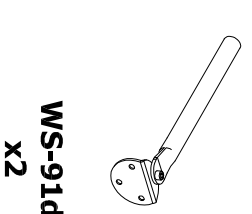
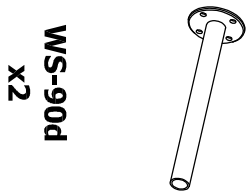
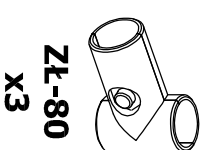
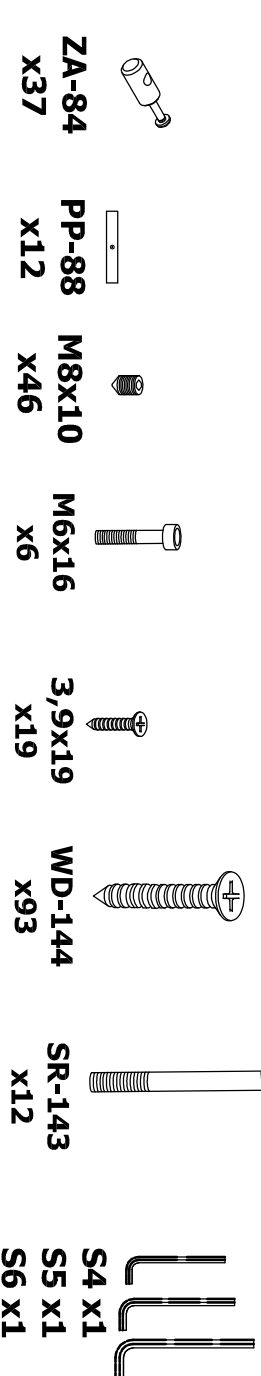
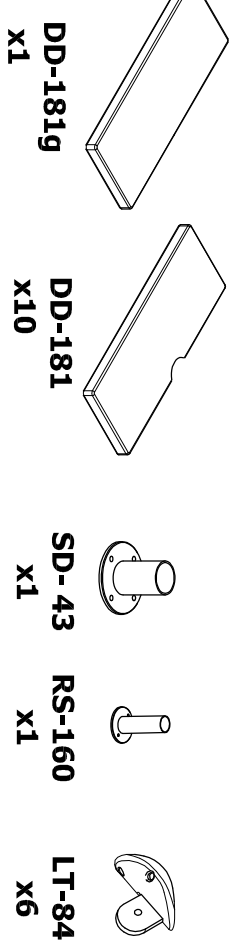
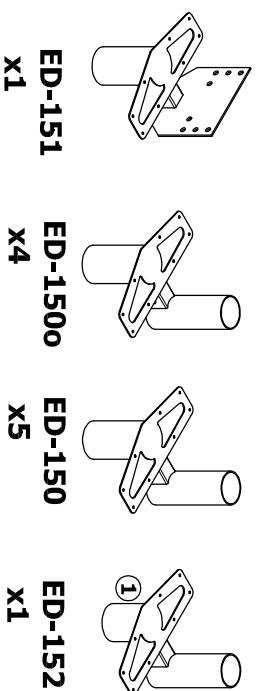
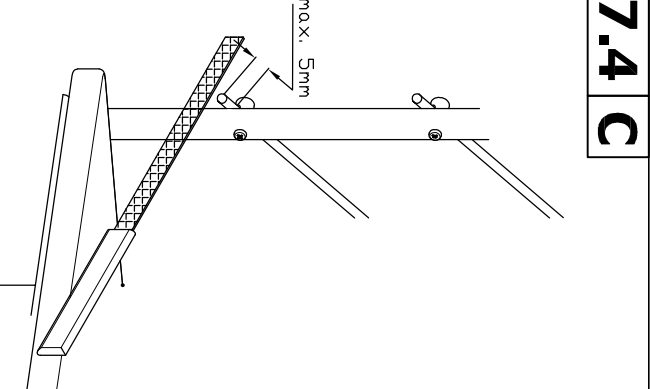
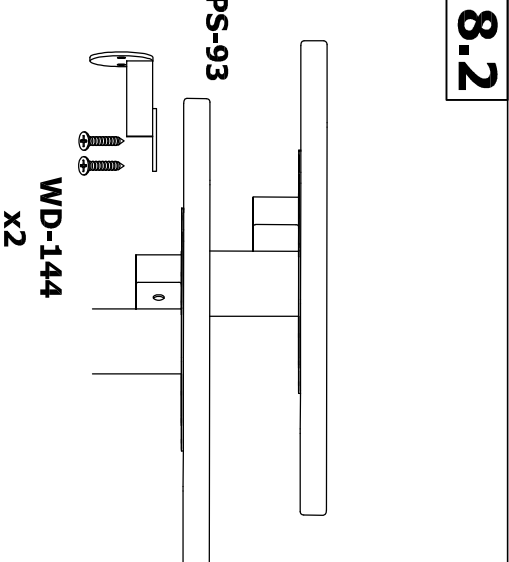
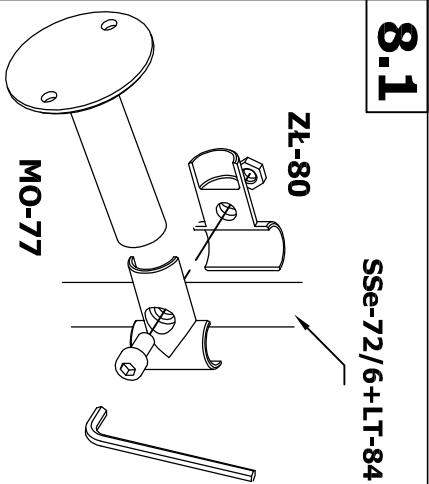
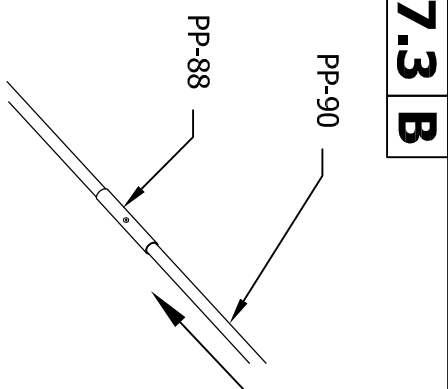
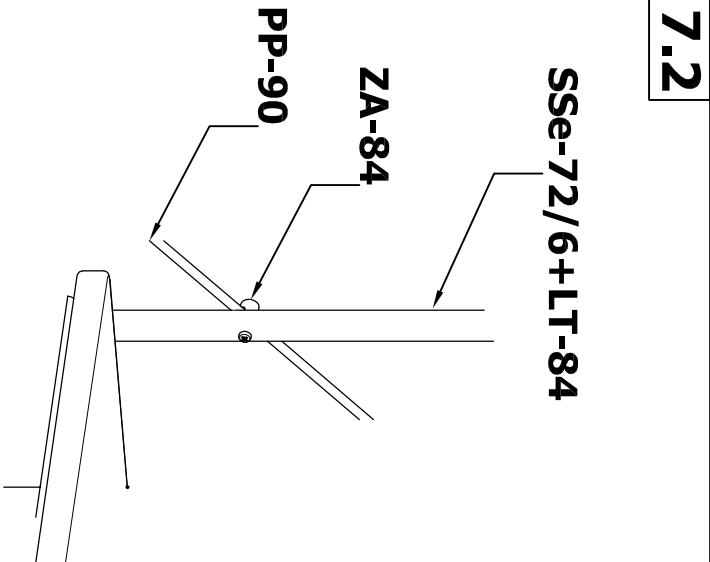
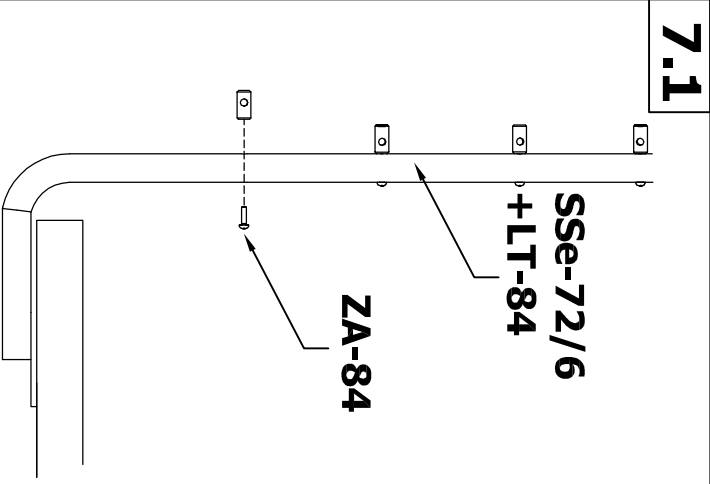
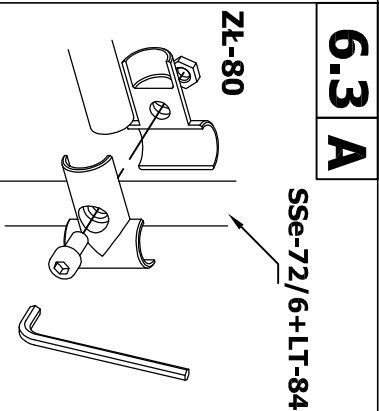
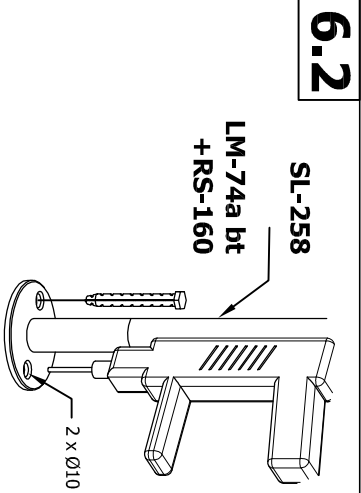
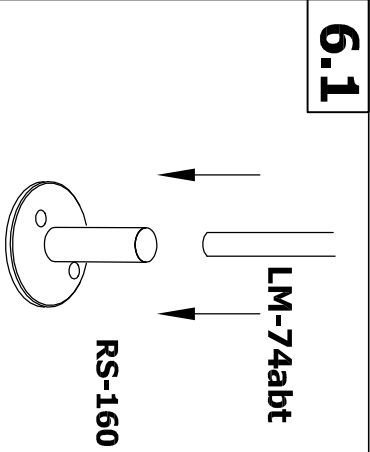
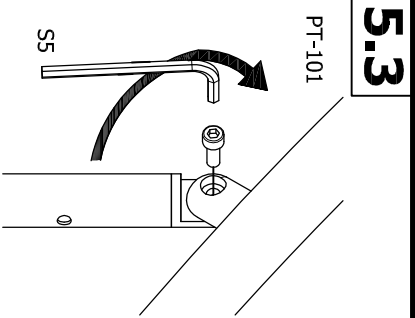
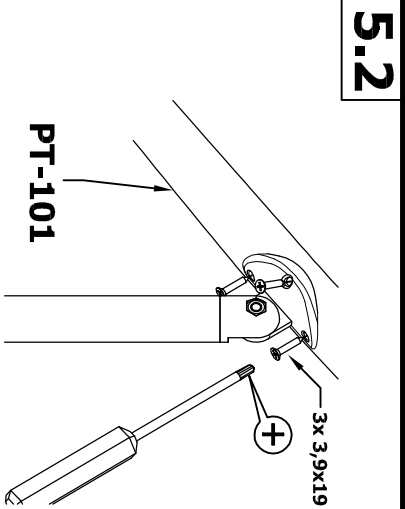
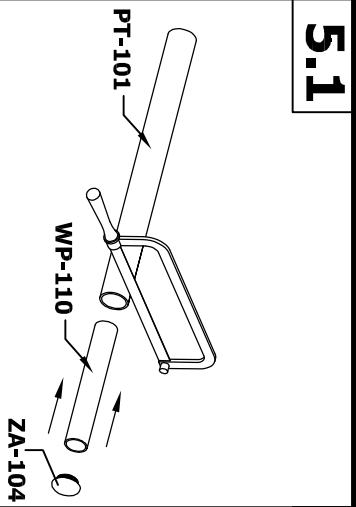


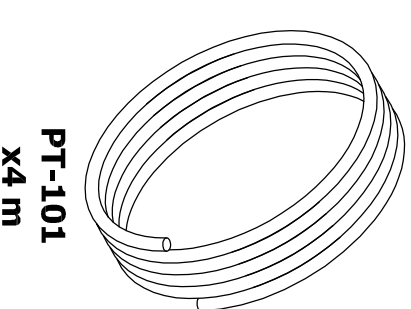
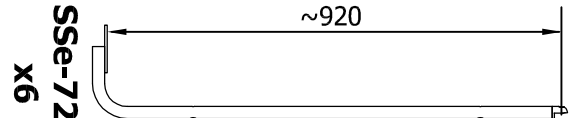
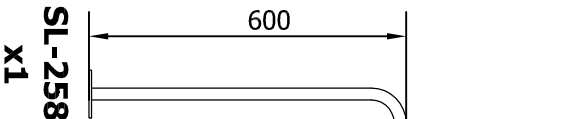
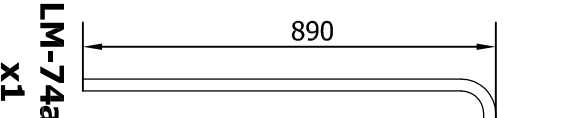
$$h_{st} = \frac{H}{n+1}$$

$18,5 \leq h_{st} \leq 25,0$  [cm]





PP-90  $\phi$ 6  
15x1,5m



ALSO NEEDED  
TO MONTAGE!

